

# New type: Flare System MTU-v



No guy required !

**Ignition system**  
Direct ignition with high voltage electrodes.

All control functions are supplied in a weather resistant and fully wired control cabinet.

**Gas compressor GVD**

- ✓ Constant initial pressure
- ✓ Ignition-free sources and techn. high design
- ✓ Insensitive to wet gases
- ✓ ATEX certified

Minor size ratio & static proof of the basement.

Equipment [kW el.]	Gas pressure [mbar]	Type	Capacity [m3/h]	L x W X H [cm]	Weight [kg]	Basement [cm]
0-100	<15	MTU 100/50	25-60	70 x 70 x 400	200	155 x 155 x 30
100-200	<15	MTU 100/80	60-120	70 x 70 x 400	220	155 x 155 x 30
200-300	<15	MTU 200/80	100-200	70 x 70 x 400	240	155 x 155 x 30
300-550	<15	MTU 200/100	150-300	70 x 70 x 450	250	155 x 155 x 30

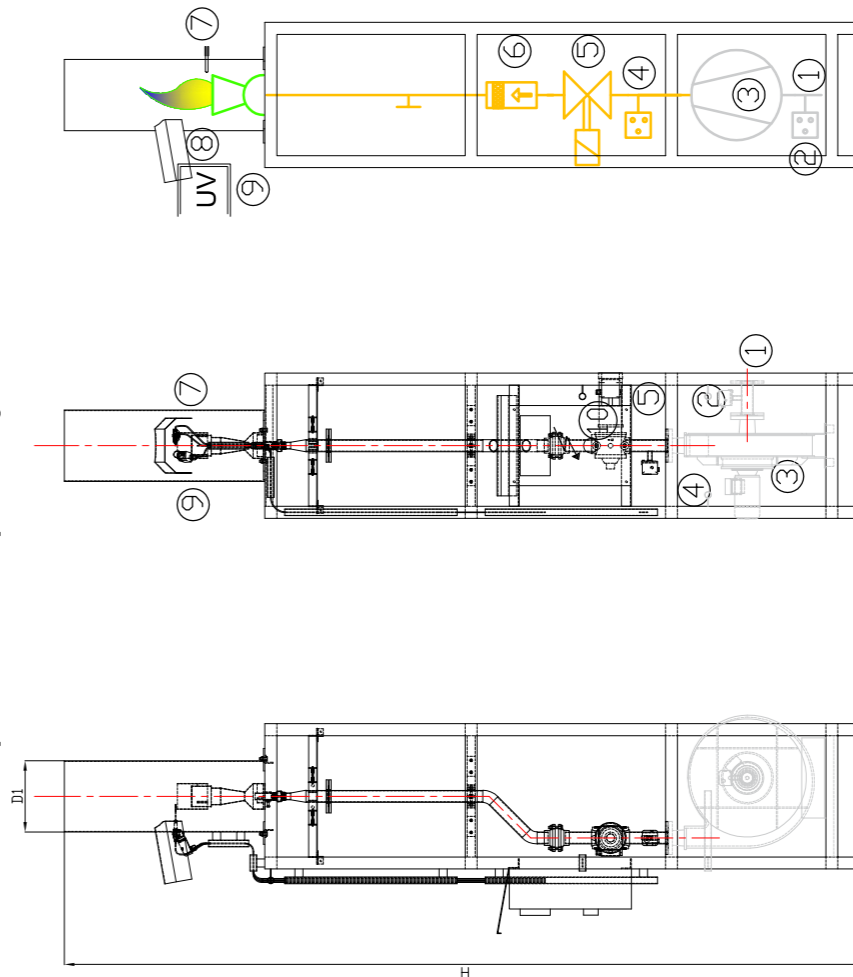
The demands on incinerators increase constantly and emission reducing measures are already counted today among directives in the disposal of various industrial gases. Due to the new market requirements - specified by EEG - we adapted our products.

Thus, based on the modular constructed gas flare type MTU a shortened version was introduced as MTU-v. The free burn out gas flare MTU-v is available in 3 versions with or without gas compressor and is delivered operable as desired by the customer and can be used right away?

**Plug & Play!**

Long term quality materials (stainless steel) and proven fittings guaranteed.

# Gas flare (MTU-V) fully automatic



## Gas schema MTU-V direct ignition



Pos.:	MTU-V 100/50	25-60	360	15	NW 50	700x700x4000	350
12	Basic frame 60 mm thick						
11	Casing pipe						
10	Control cabinet						
9	Flame observation UV-cell						
8	Ignition burner, heat durable						
7	Electrodes - direct ignition						
6	Deflagration arrester main gas						
5	Gas-engine valve, DVGW tested						
4	Pressure switches low gas						
3	Gas booster (optional)						
2	Pressure control suction						
1	Gas inlet / connection DN 80 - 250mm						

Pos.:	Detail:
12	Material no. 1.4301
11	Material no. 1.4301
10	Protection IP 54
9	Protection IP 65
8	VAA
7	Ex IIC IIA
6	Protection IP 54
5	Protection IP 65
4	Alex 2G
3	Material no. 1.4571
2	Material no. 1.4571
1	Material no. 1.4571

**GASTECHNIK HIMMEL**

MTU-V Massblatt & Gasschema.dwg

Gas flare (MTU-V) fully automatic

Gastechnik Himmel GmbH  
Blatt

Industriestr. 3  
A-2100 Korneuburg  
Tel.: +43(0)2262 61369-0  
Mail: office@gastechnik-himmel.com

(Ers. f.): (Ers. d.):

Massstab 1:25 (Gewicht)

(Zul. Abw.) (Oberfl.)

Werkstoff (Rohteil-Nr) (Modell- oder Gesenk-Nr)

Datum Name  
12.05.15 Franz  
12.05.15 Gerhart

Bearb. Gepr. Prj. Pr-Nr

A-2100 Korneuburg  
Industriestr. 3  
Tel.: +43(0)2262 61369-0

Datum Name (Urspr.)

Dieser Plan und sonstige technische Unterlagen bleiben unser geistiges Eigentum.  
Jede Verwertung oder Vervielfältigung bedarf unserer ausdrücklichen Zustimmung.  
Mass technische Änderungen dieser Zeichnung sind vorbehalten.

