

# Gas compressor GVD



### Main features of the GVD

- ✓ Wide volume stream range with a const. output pressure
- ✓ Ignition-free sources and techn. high design implementation
- ✓ Insensitive to wet gases

### Optional

- ✓ Connection flange according to customer wish
- ✓ Automatic drainage
- ✓ Case position and rotation direction specifically to customer wish
- ✓ Temperature monitoring

### GVD 500/650 FU Atex Kat. II 2G 1,5-18,5kW

- Frame	Stainless steel 1.4571
- Wheel	Aluminium
- Medium	Bio-, natural gas and special gases
- Volume flow	50 – 4000m³/h (depending on speed)
- Engine	3x400V / 1,5-18,5kw / Ex de IIC T4 Atex certified with cold wire, suitable for FU-use
- Useable frequency	15-75Hz (900U/min to 4500U/min)
- Connection	DN80-DN250, PN10

Gas compressors are used as pressure boosting fan for biogas, natural gas and various special gases.  
**By the ATEX Category II 2 SG the gas compressor GVD is also suitable for producing explosive gas alloys.**

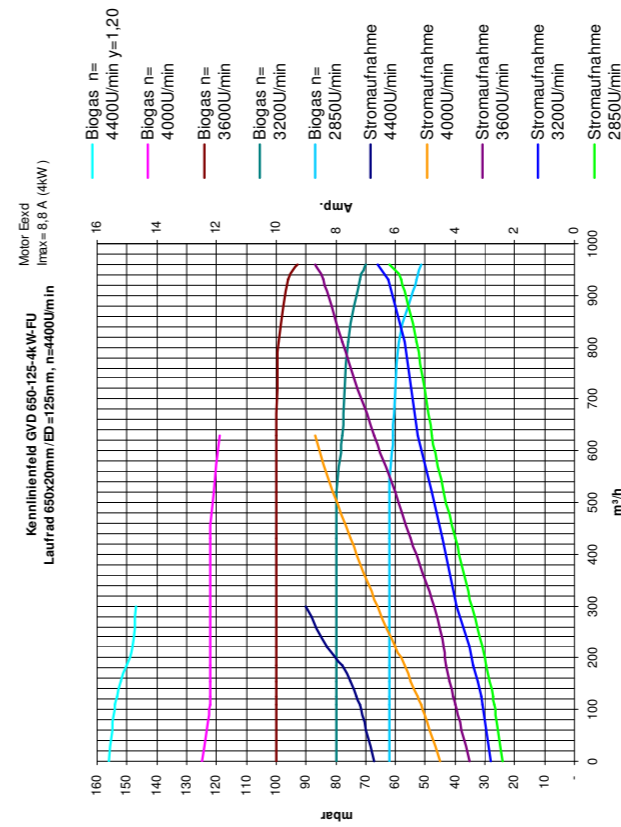
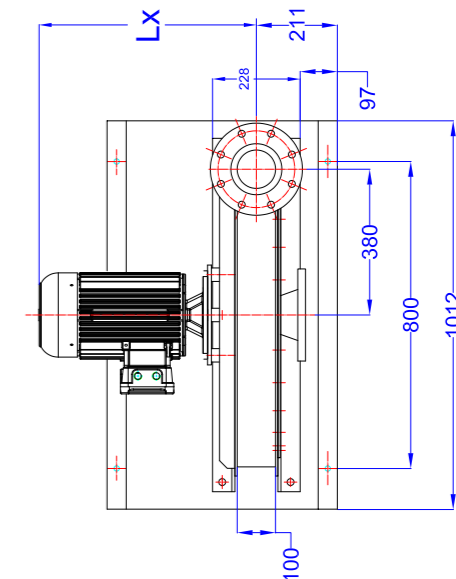
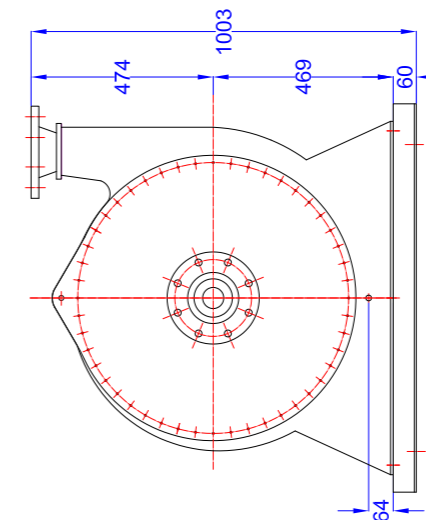
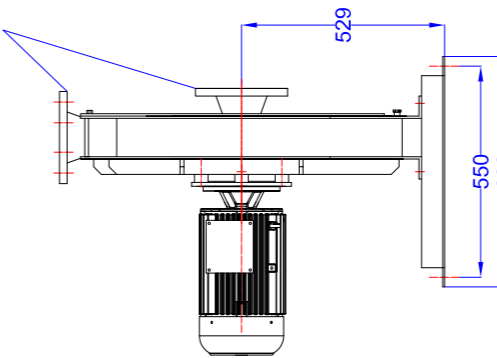
The simple and maintenance-free design stands for long durability.

**Guarantees are:** Constant output pressure, permanent technical consistent design and insensibility against wet gases.

**Features include:** fine weighed heavy aluminum impeller, corrosion-resistant stainless steel shaft, shaft seal via a double-acting lip seal, automatic lubricators and speed control via frequency converter.

## Beispiel: GVD-650 4-7,5kW

ISO SFI4A DN 125/139,7 VB



Stand.	2R	GASTECHNIK <b>HIMMEL</b>	Maßstab: MAPSTAB (Wertstoff Halbzweig) (Reihen-Nr.) (Modell- oder Gesenk-Nr.)	(Oberfl.)	Name Genannt	(Gewicht)	Sonderstellungen 1R 2R 3R 1L 2L 3L
	Gasverdichter GVD-650-125-2R						
1. Änderung		11.10	PM	A-2100 Kornauweg Industriest. 3		Gastechnik Himmel GmbH	
2		11.10	MG	Tel.: 0043 2262 61 369		Mail: office@gj-himmel.com	
Zust: Entwurf		02.09	MG	Proj. Name		Blatt	
1		02.09	MG	Proj. Name		Bl	
Zust: Änderung		02.09	MG	Proj. Name		Bl	

Lx	Motor	
	4 kW	570
	5.5 kW	630
	7.5 kW	630